

QRF/QRM HSC 5000 SERIES

HIGH PRESSURE SCREW COUPLINGS

FOR PULSE APPLICATIONS.

CONNECT / DISCONNECT UNDER PRESSURE

INTRODUCTION

The QRF/QRM HSC 5000 are designed to withstand the most severe pressure pulse applications, where other couplings suffer rapid failure.

Application Examples:

Excavator hammer attachments, shears, rock crushers, test rigs and other intense pressure pulse application.

CONSTRUCTION

Zinc plated carbon steel body with Viton seals and PTFE backing rings.

BENEFITS

Screw thread connection eliminates Brinelling

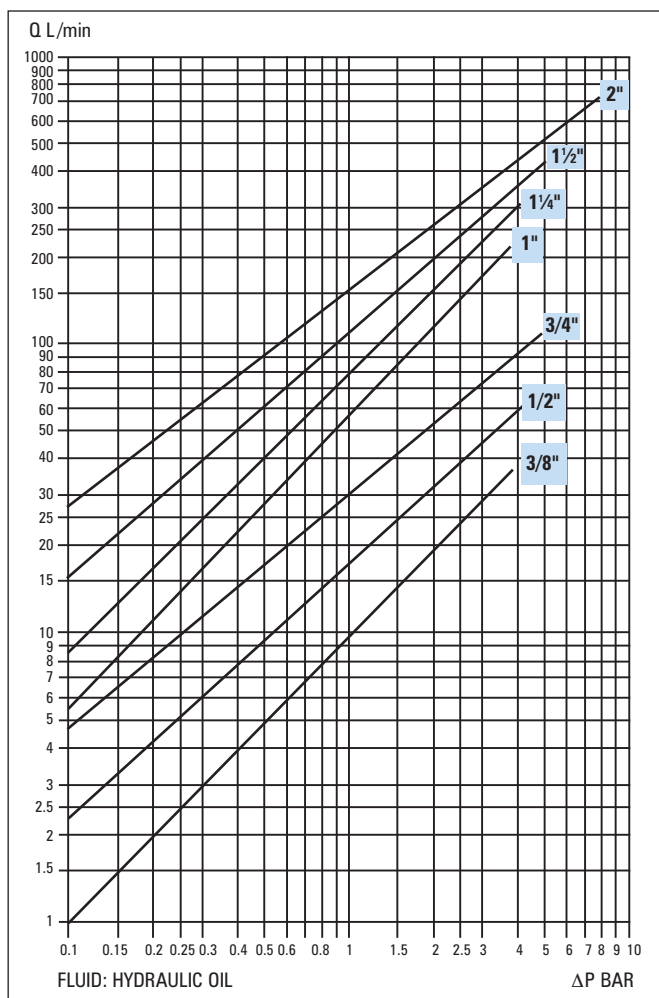
Connects and disconnects under pressure

Seals readily accessible for easy replacement

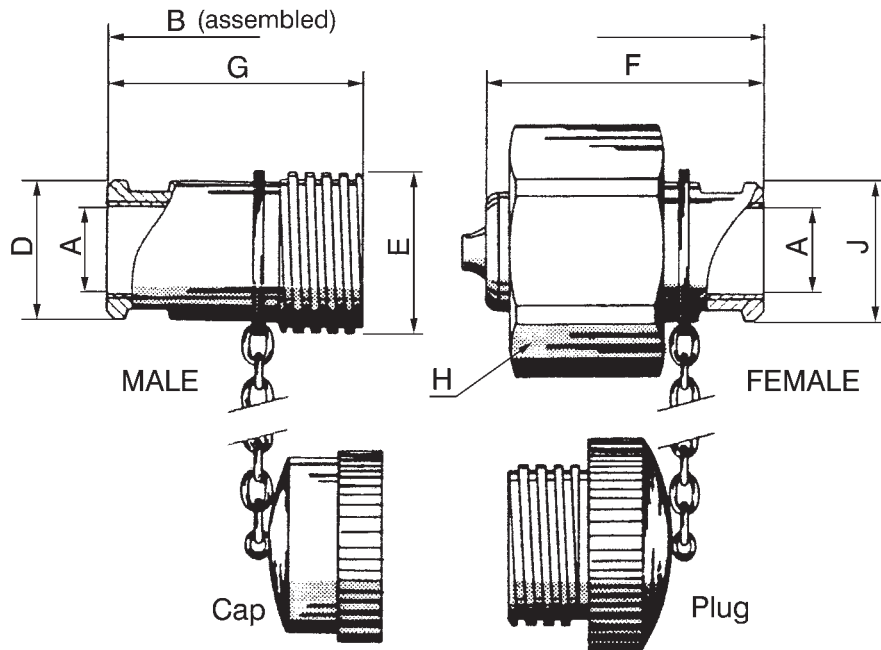
Supplied with Caps and Plugs to protect the thread and help prevent the ingress of contaminants

When connected, all internal parts are held rigid, preventing fatigue of the poppet, spring or coupling itself. The poppet is guided to prevent it shifting off centre. The poppet and spring are retained by a heavy duty collet that can withstand severe forces.

PRESSURE DROP FLOW CHART



QRF/QRM HSC 5000 SERIES, SCREW COUPLINGS



TECHNAICAL INFORMATION

Size	A	B	D	ØE	F	G	H	J	Weight Female kg	Weight Male kg	Flow area mm ²	Max Flow litres/min	Max Working pressure bar
10	3/8"	110	30	35.57	55	77	45	27	0.37	0.35	45	26	500
12	1/2"	135	35	39.64	70	95	50	30	0.53	0.53	95	52	450
19	3/4"	142	40	44.80	73	99	55	35	0.67	0.72	150	85	400
25	1"	156	46	57.52	82	106	70	52	1.23	1.25	250	150	350
32	1 1/4"	171	60	65.55	88	118	80	55	1.92	1.70	370	230	320
40	1 1/2"	172	68	74.61	90	121	87	62	2.26	2.20	500	340	300
50	2"	240	90	108.05	120	165	130	85	7.30	6.30	980	630	250

Dimensions in mm except where stated otherwise.

Do not exceed maximum flow rating as this will invalidate the warranty and may cause seal damage.

